



MM2520 SERIES ~ SMD Ferrite Common Mode Filters



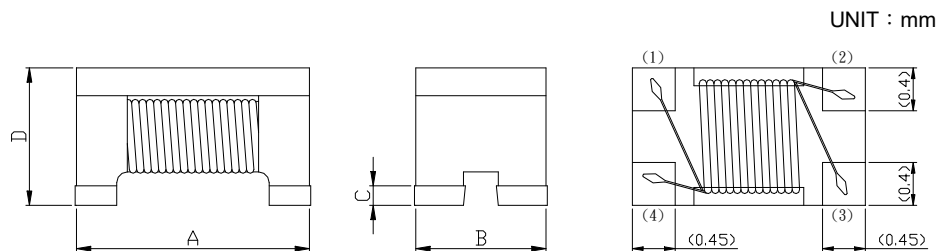
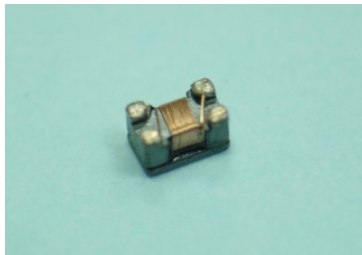
FEATURES

1. Miniature surface mount component – 2.5 × 2.0 mm footprint, 1.8 mm high
2. Application for CAN-BUS, Fax, ISDN, FlexRay system , Ethernet System .
3. RoHS-compliant, halogen free. 260°C compatible.

PART NUMBERING SYSTEM

MM	2520	—	102	—	LF
TYPE	DIMENSIONS		INDUCTANCE		LEAD FREE

SHAPES AND DIMENSIONS



A=2.5±0.2 B=2.0±0.2 C=0.2±0.1 D=1.8±0.2

SPECIFICATION TABLE

PART NUMBER	Common Mode Impedance(Ω) (at 100MHz)	RATED CURRENT (mA)	DCR (Ω) (Max)	RATED VOLTAGE (VDC Typ.)	Withstanding Voltage (VDC Typ.)	INSULATION RESISTANCE ($M\Omega$)
MM2520-301-LF	300±25%	400	0.35	20	125	10 min.
MM2520-601-LF	600±25%	300	0.45	20	125	10 min.
MM2520-102-LF	1,000±25%	200	0.90	20	125	10 min.

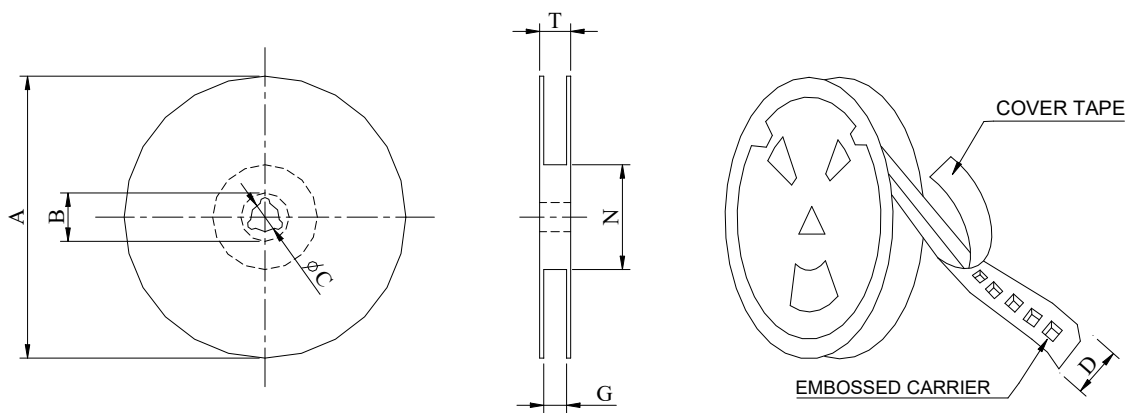
Operating Temperature Range : -40°C to 105°C



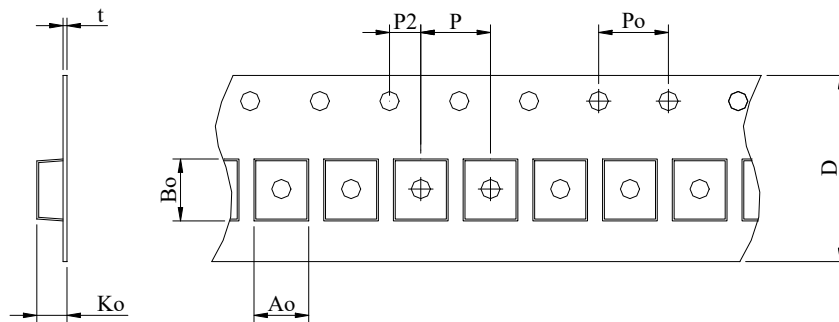
MM2520 SERIES ~ SMD Ferrite Common Mode Filters



PACKAGING SPECIFICATION



*CARRIER TAPE WIDTH : D



SERIES	STAYLE	Q'TY (PCS)	DIMENSIONS (m/m)								
			A	Ao	Bo	Ko	t	N	P	Po	D
MM2520	178	2,000	178	2.20	2.75	2.00	0.24	60	4	4	8.0